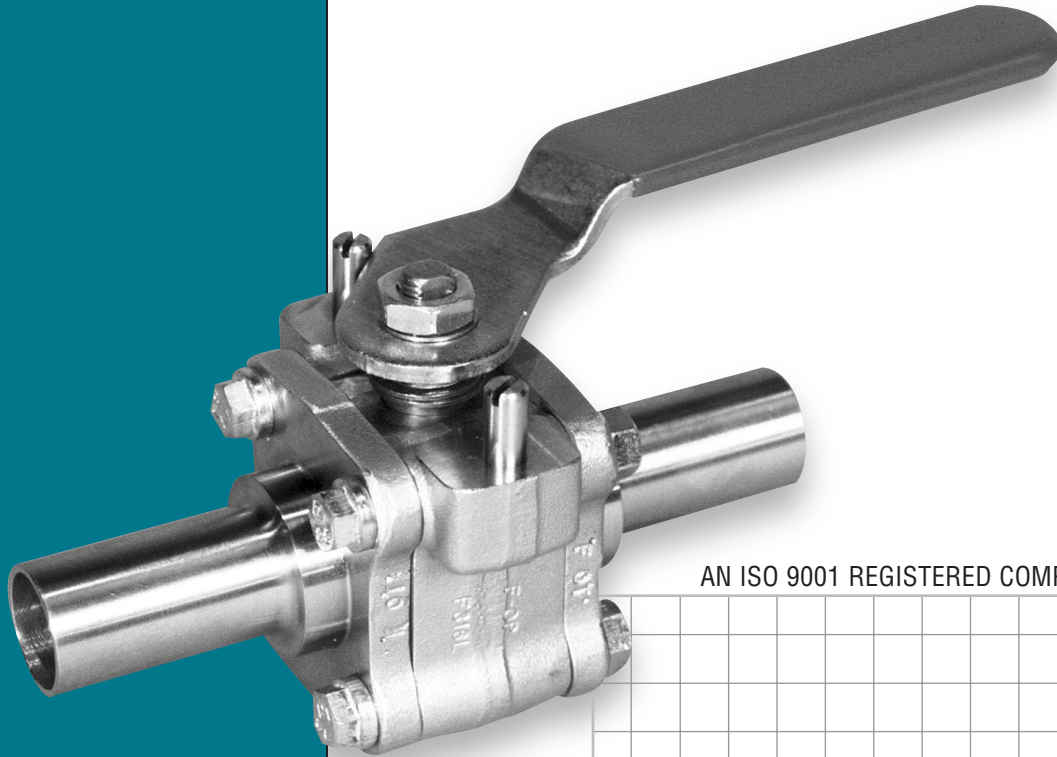


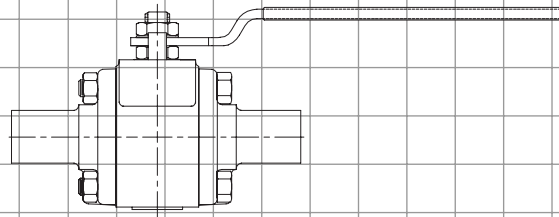


Worcester Controls

FCD WCABR1036-00
(Part PB WK 70-Rev)



AN ISO 9001 REGISTERED COMPANY



Series WK 70 Tube Bore Clean Valves

*Forged Stainless Steel Ball Valves for
high-purity and aseptic processes*

A Clean valve to write your specifications around:

Tube bore, metallurgy, surface finish, shutoff, cleanability and automation

Series WK 70 clean valves operate dependably in the pharmaceutical, biotech, food, cosmetic, paint, chemical and semi-conductor manufacturing industries where microbes, media deposits, mineral impurities and cross-contamination can threaten the quality of the product. The high-purity design, high vacuum rating, high cycle life and pressure/temperature rating of these valves make them ideal for applications from sterile steam to nutrient inlets to high-purity water. The performance of the WK70 Tube Bore Clean Valve is based on a combination of high standard specifications.

Tube Bore*

The inside diameter of WK70 valve components are tube bore dimensions so that the valve precisely matches the tubing it is connected to. This prevents buildup of pyrogens or bacteria.

Forged Valve

WK70 valves are built of forged parts. From an integrity perspective, forgings are better than castings for clean service because they are stronger, free from crevices, pits, shrinks or inclusions and have better controlled metallurgy.

Low Ferrite Content

WK70 valves are made of 316L stainless steel with ferrite content less than 5 percent.** This prevents rouging resulting from minerals and impurities drawn from higher ferrite content metals.

High Integrity Welds

The metallurgy of WK70 body and extended tube ends assures the integrity of the orbital welding. The tube ends have a verifiable sulfur content between .005 percent and .016 percent. Too much sulfur causes a lack of penetration of the orbital welding. With a low sulfur content comparable to that of the process tubing, the quality of the weld is assured.

CMTRs

Certified Material Test Reports are available for the body, pipe ends, ball and stem. (Request when placing order.)

High Cycle Sealing, Bubbletight Shutoff

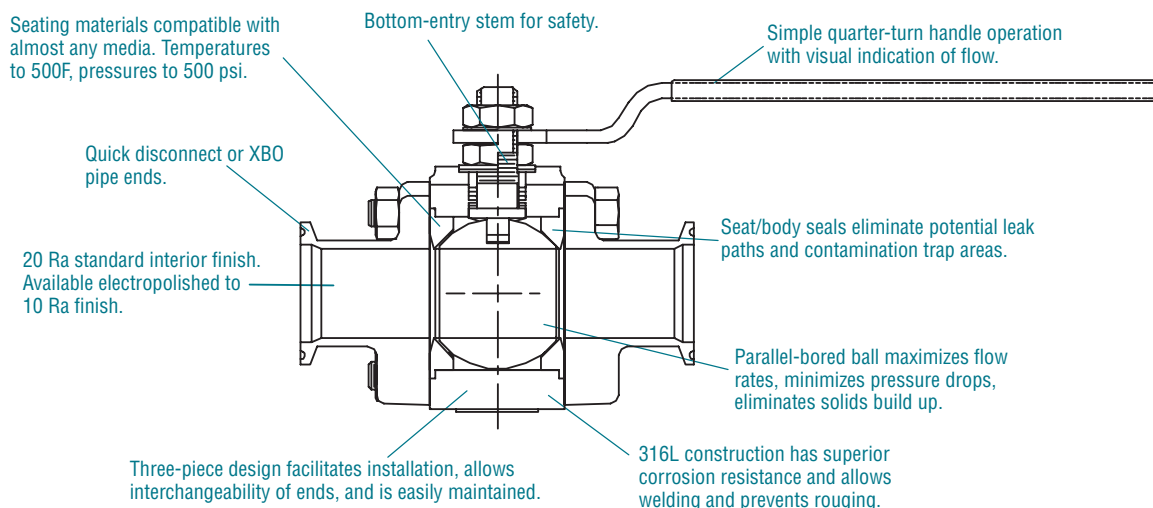
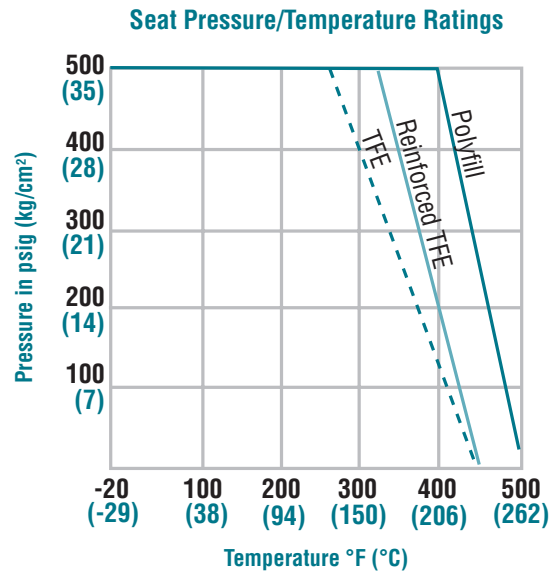
Seats of TFE, Reinforced TFE and Polyfill® provide bubbletight shutoff through the valve, even under conditions of high vacuum and high cycle operation. High-cycle stem seals assure external sealing when the valve is automated.

Steam Service Capability

Pollyfill is a TFM material with carbon and graphite fillers with excellent high temperature properties. These standard seats are capable of up to 275 working steam pressure (WSP) making the WK 70 valve ideal for sterile steam applications.

3"-4" Series WK 70 Clean Valves

Worcester's clean valves are optionally available in 3" and 4" sizes with TC Quick Disconnect and XBO ends through our Custom Product Department.



*For standard reduced port clean valves, refer to Brochure FCD WCABR1035.

**As certified by component manufacturer, CMTRs available upon request.

Specifications

- Valve Size:** ½", ¾", 1", 1½", 2"
(3" and 4" custom product only)
- Styles:** Three-piece, tube bore valve,
bi-directional flow
- Pressure Rating*:** Quick disconnect – varies
according to clamp type and gasket
material. XBO - 500 psig.
- Vacuum Rating:** 1x 10⁻³ torr (1 x 10⁻⁵ torr optional)
- Body and Pipe Ends:** Forged stainless steel to ASTM
A182 F316L. Ferrite content less
than 5%. XBO tube ends have
verifiable sulfur content between
.005% to .016%.
- Ball:** Solid parallel bore (no vent hole)
stainless steel, ASTM A479-316L
condition A.
- Seats:** TFE, Reinforced TFE, Polyfill, TFM
- Body Seals:** TFE
- Stem:** One-piece, bottom-entry stainless
steel ASTM A479-316L,
condition A.
- Stem Seals:** TFE, Polyfill and PEEK.
- External Parts:** 300 series stainless steel

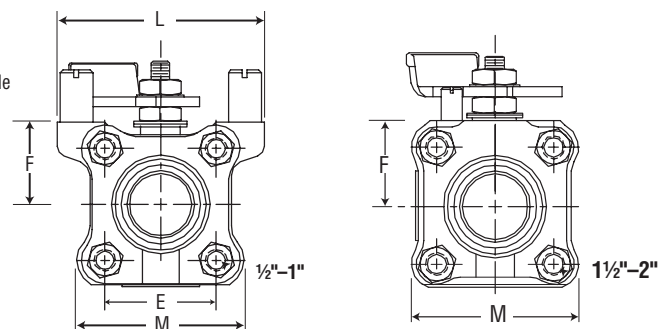
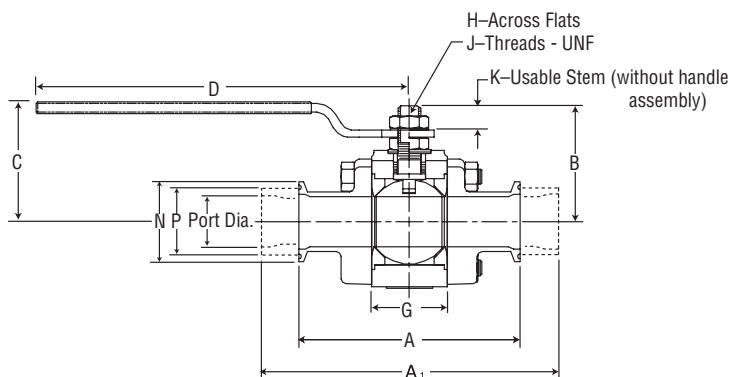
*The final valve pressure and temperature rating is established by the rating of two items; end connections and seat/body seal material. The lowest rating prevails.

- Interior Surface Finish:** 20 Ra Standard (ASME-SFV1),
10 Ra Optional
(electropolish/ASME-SFV4)
- Seat/Seal Leakage:** Standard valves, less than 1x10⁻⁶
cc He/sec inboard and through
the valve, bubbletight (1x10⁻⁴cc
He/sec). With preparation, leakage
will be less than 2x10⁻⁹ He/sec. All
valves 100% tested to bubbletight
standards in a class 100 clean
room and double bagged.
- Standard and Approvals:** Materials of construction comply
with FDA requirements (21CFR).
USP Class VI approval with TFE,
TFM and Polyfill seats. USDA
approval with TFE seats.

C_v Values and Equivalent Length of .065" Wall tubing

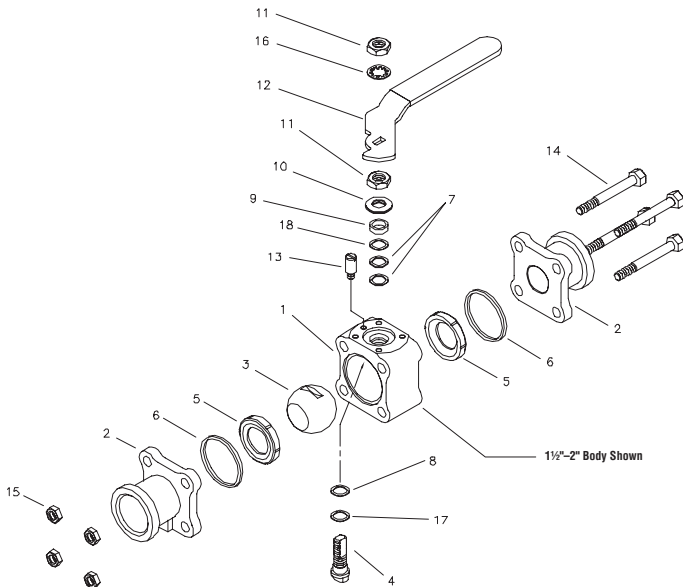
Valve Size	C _v		Equivalent Length of Tubing in. (mm)	
	TC	XBO	Quick Disconnect	XBO
½"	8.1	6.5	3.50 (88.9)	5.53 (141)
¾"	28.6	24.3	4.00 (102)	5.57 (147)
1"	67	56.4	4.53 (115)	6.36 (162)
1½"	192	165	5.57 (142)	7.5 (191)
2"	400	367	6.69 (170)	8.04 (204)

Dimensions Inches (mm)



Valve Size	Face to Face		B	C	D	E	F	G	H	J	K	L	M	N	P	Port Diameter	Valve Weight lb. (kg)
	TC	XBO															
½"	3.50 (88.9)	5.53 (141)	1.55 (39.4)	1.76 (44.7)	5.53 (141)	1.25 (31.8)	.94 (23.9)	.813 (20.7)	.217 (5.51)	¾-24	.28 (7.11)	2.33 (59.2)	1.79 (45.5)	.986 (25)	.50 (12.7)	.37 (9.40)	1.1 (.50)
¾"	4.00 (102)	5.77 (147)	1.68 (42.7)	1.90 (48.3)	5.53 (141)	1.50 (31.8)	1.07 (27.2)	.969 (24.6)	.217 (5.51)	¾-24	.28 (7.11)	2.62 (66.6)	2.04 (51.8)	.986 (25)	.75 (19.1)	.62 (15.8)	1.8 (.82)
1"	4.53 (115)	6.36 (162)	2.23 (56.6)	2.32 (58.9)	6.53 (166)	1.75 (44.5)	1.30 (33.0)	1.28 (32.5)	.296 (7.52)	7/16-20	.43 (10.9)	3.12 (79.3)	2.45 (62.2)	1.986 (50.4)	1.00 (21.4)	.87 (22.1)	3.1 (1.41)
1½"	5.57 (142)	7.50 (191)	2.96 (75.2)	2.91 (73.9)	8.03 (204)	2.41 (61.2)	1.80 (45.7)	1.98 (50.3)	.343 (8.71)	¾-18	.61 (15.5)	—	3.31 (84.1)	1.986 (50.4)	1.50 (38.1)	1.37 (34.8)	6.2 (2.82)
2"	6.69 (170)	8.04 (204)	3.33 (84.6)	3.29 (83.6)	8.03 (204)	3.09 (78.5)	2.18 (55.4)	2.66 (67.6)	.343 (8.71)	¾-18	.60 (15.2)	—	4.09 (104)	2.518 (64.0)	2.00 (50.8)	1.87 (47.5)	9.5 (4.31)

Part Identification and Materials of Construction



Item No.	Qty.	Description	Material
1	1	Valve Body	Stainless Steel ASTM A182-F316L
2	2	Pipe Ends	Stainless Steel ASTM A182-F316L
3	1	Ball	Stainless Steel A479-316L Cond. A
4	1	Stem	Stainless Steel A479-316L Cond. A
5	2	Seat	TFE-Virgin / Reinforced TFE / PolyFill / TFM
6	2	Body Seal	TFE-Virgin
7	2	Stem Seal	PolyFill / TFE-Virgin / TFM-Virgin
8	1	Thrust Bearing	PolyFill / TFE-Virgin / TFM-Virgin
9	1	Follower	Stainless Steel AISI 316L
10	2	Belleville Washers	Stainless Steel AISI 301
11	2	Handle Nut & Ret. Nut	Stainless Steel AISI 300, Series/Zinc-Plated
12	1	Handle Assembly	Stainless Steel ASTM A167 304, Vinyl-Coated
13	1 or 2	Stop Pin	Stainless Steel, A276-300 Series
14	4	Body Bolts	Stainless Steel ASTM F593-316 GR.2
15	4	Body Nuts	Stainless Steel ASTM A194 GR.8
16	1	Lockwasher	Stainless Steel AISI 300 Series
17	1	Thrust Bearing	PEEK
18	1	Seal Protector	PEEK

How to Order

Valve Size	Options	Product Series	Body & Pipe Ends	Ball & Stem	Seats	Body Seals	Ends	Variations
1"	P	WK70	66	66	P	T	TC	*
1/2"	Blank-Std. 20 Ra Finish	WK 70	6-316L Stainless Steel	6-316L Stainless Steel	T-TFE R-Reinforced TFE P-Polyfill TFM-TFM	T-TFE	TC- Quick Disconnect XBO-Extended Butt Weld O.D. Tube	Blank-No Variations V6-Source Inspection V32-Oval Handle V36-Cert. of Compliance V48-Extended Lever Handle V59-Extended Oval Handle V60-OSHA Lockout V66-Cert. of Comp. for European Valve Orders V72-Cert. of Comp. for European Pressure Equipment Directive Conformance V73-Cavity Filler Seats
3/4"	E-No handle valve, built for automation							
1"	K-Locking Handle							
1 1/2"	P-Electropolished (10 Ra)							
2"	V-Vacuum							

Ordering Example: A 1" Series WK 70 with a stainless steel body, pipe ends, ball and stem, Polyfill seats, TFE body seals, quick disconnect ends, and electropolished finish.

CAUTION: Ball Valves can retain pressurized media in the body cavity when closed. Use care when disassembling. Always open valve to relieve pressure prior to disassembly. Due to continuous development of our product range, we reserve the right to alter the dimensions and information contained in this leaflet as required.

Polyfill® is a registered trademark of Flowserve Corporation.

Flowserve Corporation has established industry leadership in the design and manufacture of its products. When properly selected, this Flowserve product is designed to perform its intended function safely during its useful life. However, the purchaser or user of Flowserve products should be aware that Flowserve products might be used in numerous applications under a wide variety of industrial service conditions. Although Flowserve can (and often does) provide general guidelines, it cannot provide specific data and warnings for all possible applications. The purchaser/user must therefore assume the ultimate responsibility for the proper sizing and selection, installation, operation, and maintenance of Flowserve products. The purchaser/user should read and understand the Installation Operation Maintenance (IOM) instructions included with the product, and train its employees and contractors in the safe use of Flowserve products in connection with the specific application.

While the information and specifications contained in this literature are believed to be accurate, they are supplied for informative purposes only and should not be considered certified or as a guarantee of satisfactory results by reliance thereon. Nothing contained herein is to be construed as a warranty or guarantee, express or implied, regarding any matter with respect to this product. Because Flowserve is continually improving and upgrading its product design, the specifications, dimensions and information contained herein are subject to change without notice. Should any question arise concerning these provisions, the purchaser/user should contact Flowserve Corporation at any one of its worldwide operations or offices.

For more information about Flowserve Corporation, visit www.flowserve.com or call USA 1 800 225 6989.

FLOWSERVE CORPORATION
FLOW CONTROL DIVISION
 1978 Foreman Drive
 Cookeville, Tennessee 38501 USA
 Phone: 931 432 4021
 Facsimile: 931 432 5518

(Part PB WK 70-Rev)